



TECHNICAL DATA / FEATURES

- dimensions: φ139/123x88
- light functions: passing, driving, parking
- function markings: M, A
- traffic: right-hand, left-hand
- reference mark: -
- source of light: R2, T4W
- maximum power: 55/50W, 4W
- nominal voltage: 12V-24V DC
- optics: standard
- IP rating: IP54
- housing's material: metal
- lens' material: glass
- built-in connectors: -



ADDITIONAL INFORMATION

Particularly recommended for tractors and slow-moving vehicles.

To be mounted in factory designed locations or in the front bumper recesses.

Useful parts while installing:

- main bulb gasket - cat. No. A.05820
- parking light bulb holder - cat. No. A.05921
- main bulb mounting block - cat. No. A.07128

Equivalents for Cobo:

B - 05.428.000, C - 05.430.000

Dedicated application:

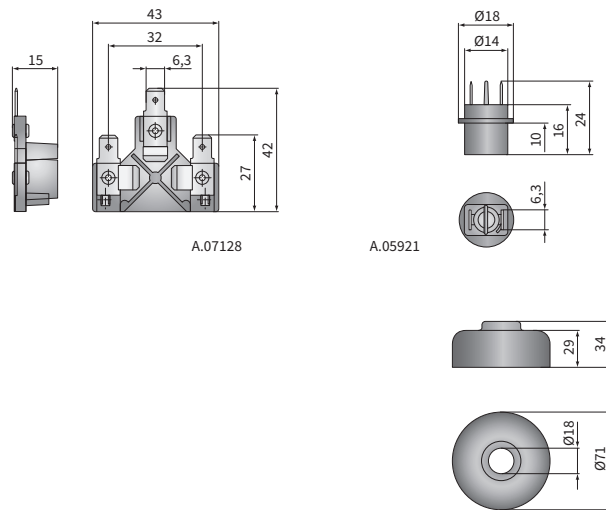
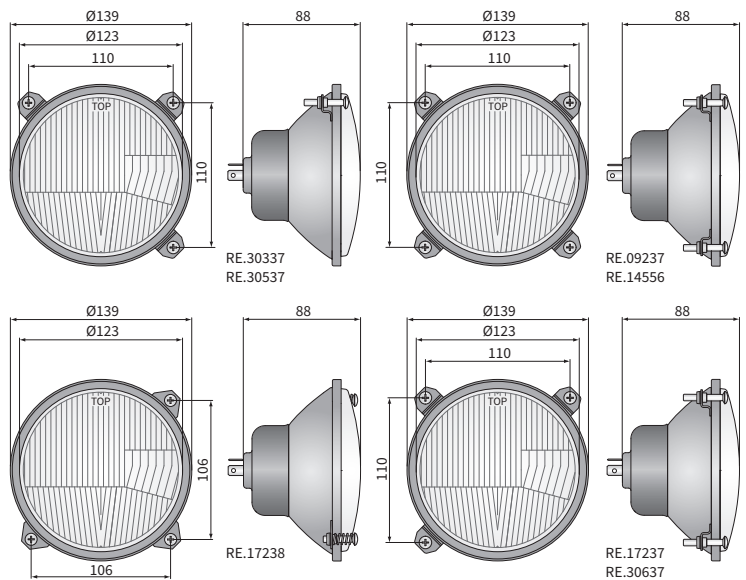
A - tractors:

- Massey Ferguson series: 100, 200, 300
- Ursus: 2812, 3512, 3502, 4514, 5314, 1224, 1614, 1234, 1634, 1934, 1954
- Landini series: 30, 50, 60, 70, 80, 10000, 13000
- Zetor: 10011/10045, 10111/10145, 10211/10245, 11211/11245, 12111/12145, 12211/12245, 14145, 14245, 16045, 16145, 16245, 8111/8145, 8211/8245, 9111/9145, 9211/9245

D - tractors:

- John Deere: 930, 940, 1030, 1040, 1130, 1140, 1630, 1640, 1830, 2030, 2040, 2040S, 2130, 2140, 3030, 3040, 3130, 3140, 3640, 4840

DIMENSIONS



Cat. number	Homologation code	Light functions				Traffic	right-hand	left-hand	Accessories				Side	right	left	Equivalents	Cobo	Application	dedicated
		passing	driving	parking					bulb R2 12V	bulb R2 24V	bulb T4W	bulb gasket							
RE.09237	092	✓	✓			✓						✓	✓	✓		B	A	A	
RE.14556	092	✓	✓			✓						✓	✓	✓		B	A	A	
RE.14566	092	✓	✓	✓		✓						✓	✓	✓			A	A	
RE.17237	092	✓	✓			✓						✓	✓	✓			A	A	
RE.30337	092	✓	✓			✓						✓	✓	✓			A	A	
RE.17238	092	✓	✓			✓						✓	✓	✓			D	A	
RE.16837	168	✓	✓				✓					✓	✓	✓		C	A	A	
RE.16838	168	✓	✓	✓			✓					✓	✓	✓			A	A	
RE.30637	168	✓	✓			✓						✓	✓	✓			A	A	
RE.30537	168	✓	✓			✓						✓	✓	✓			A	A	